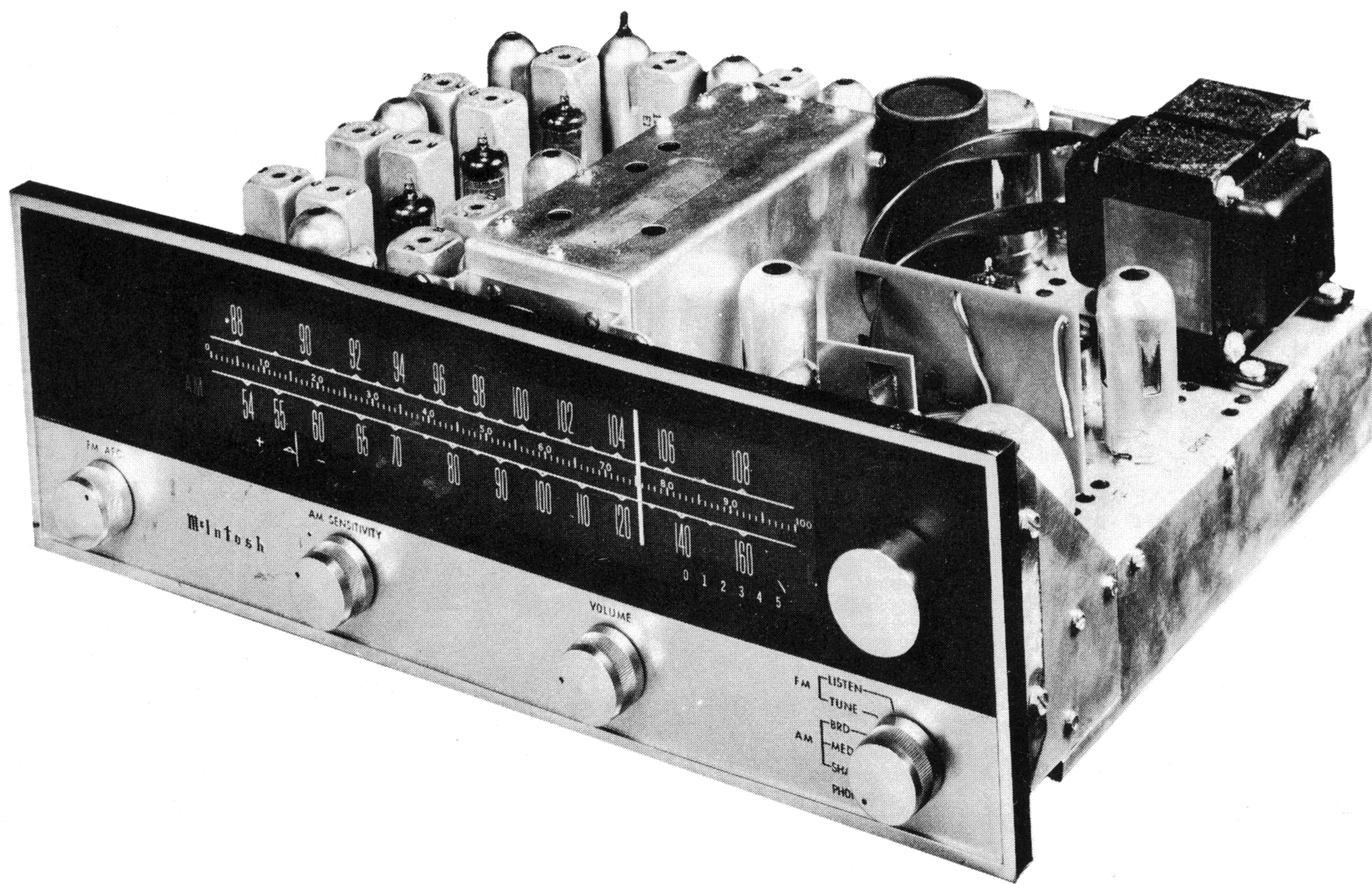




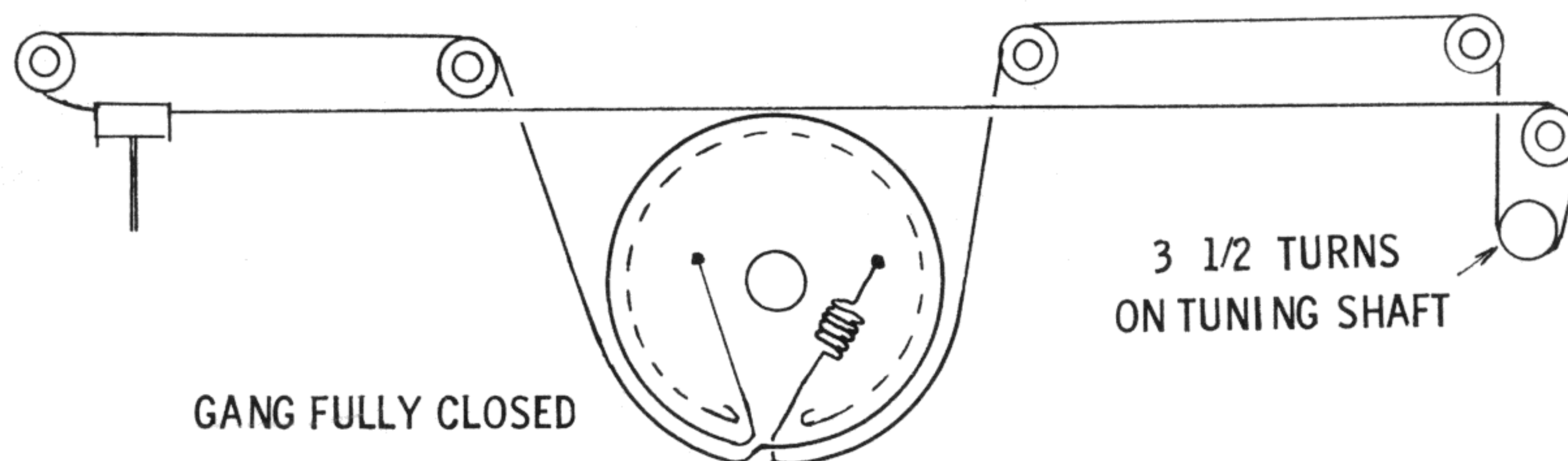
MC INTOSH
MODEL MR-55



MC INTOSH
MODEL MR-55

TRADE NAME	McIntosh Model MR-55		
MANUFACTURER	McIntosh Laboratory, Inc., 2 Chambers St., Binghamton, N. Y.		
TYPE SET	AC Operated 18 Tube FM-AM Tuner		
POWER SUPPLY	110-120 Volts AC, 60 Cycles	RATING	69 Watts, .65 Amp. @ 117 Volts AC
TUNING RANGE	BROADCAST 540 - 1620KC	FREQ. MOD.	88 - 108MC

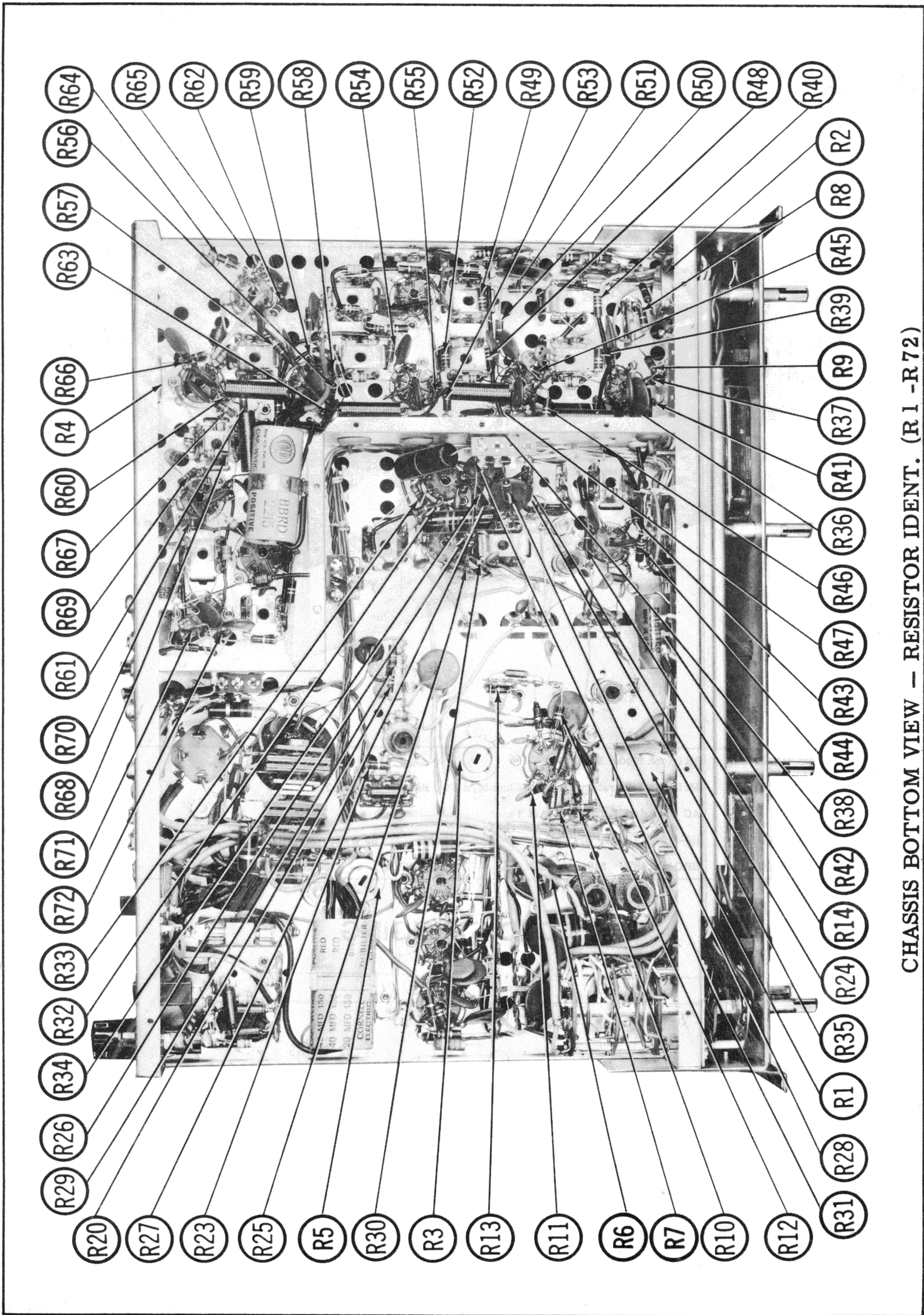
DIAL CORD STRINGING



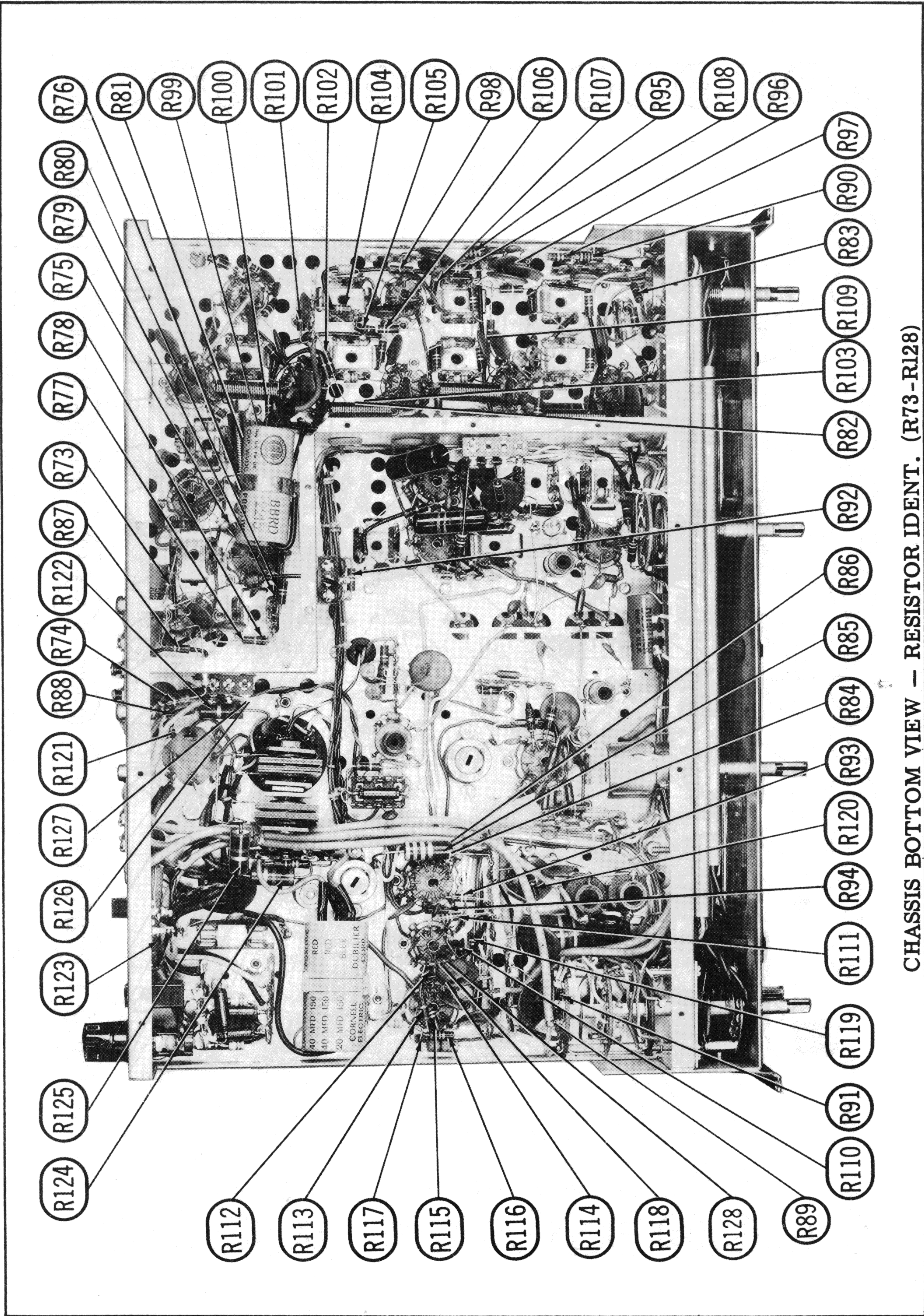
HOWARD W. SAMS & CO., INC. Indianapolis 6, Indiana

The listing of any available replacement part herein does not constitute in any case a recommendation, warranty or guaranty by Howard W. Sams & Co., Inc., as to the quality and suitability of such replacement part. The numbers of these parts have been compiled from information furnished to Howard W. Sams & Co., Inc., by the manufacturers of H938

the particular type of replacement part listed. Reproduction or use, without express permission, of editorial or pictorial content, in any manner, is prohibited. No patent liability is assumed with respect to the use of the information contained herein. © 1959 Howard W. Sams & Co., Inc., Indianapolis 6, Indiana. Printed in U.S. of America



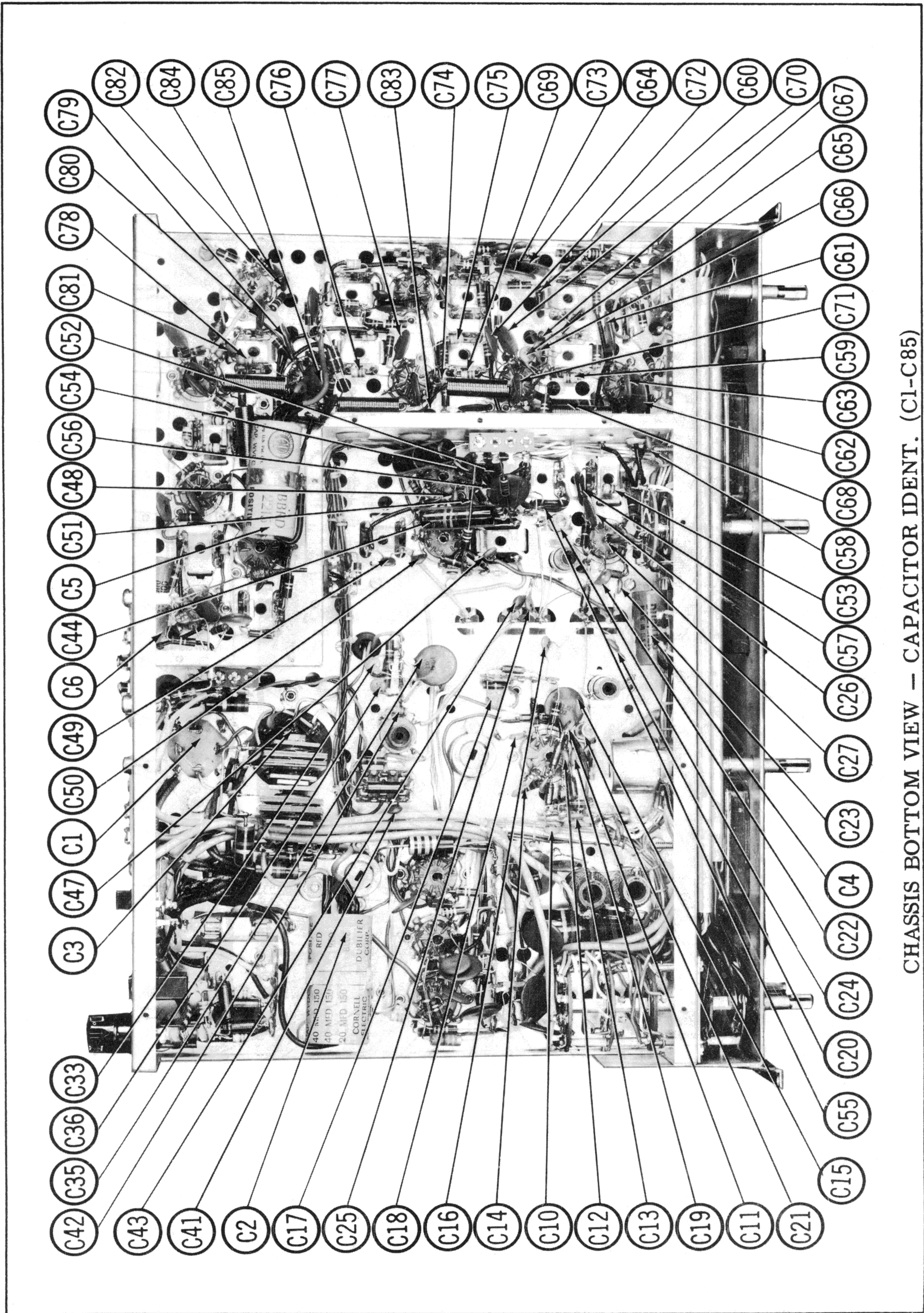
CHASSIS BOTTOM VIEW -- RESISTOR IDENT. (R1 -R72)



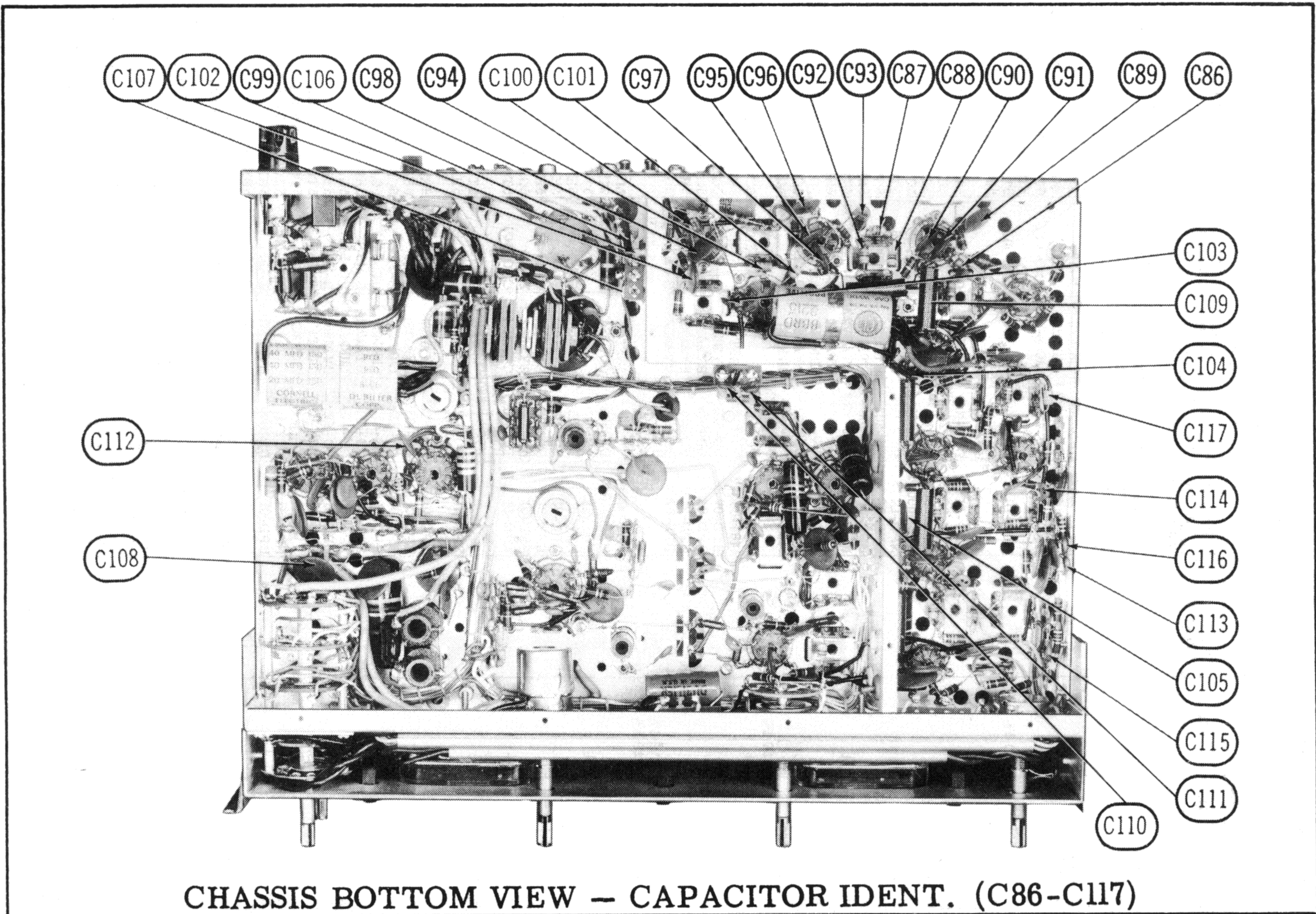
CHASSIS BOTTOM VIEW - RESISTOR IDENT. (R73-R128)

MC INTOSH
MODEL MR-55

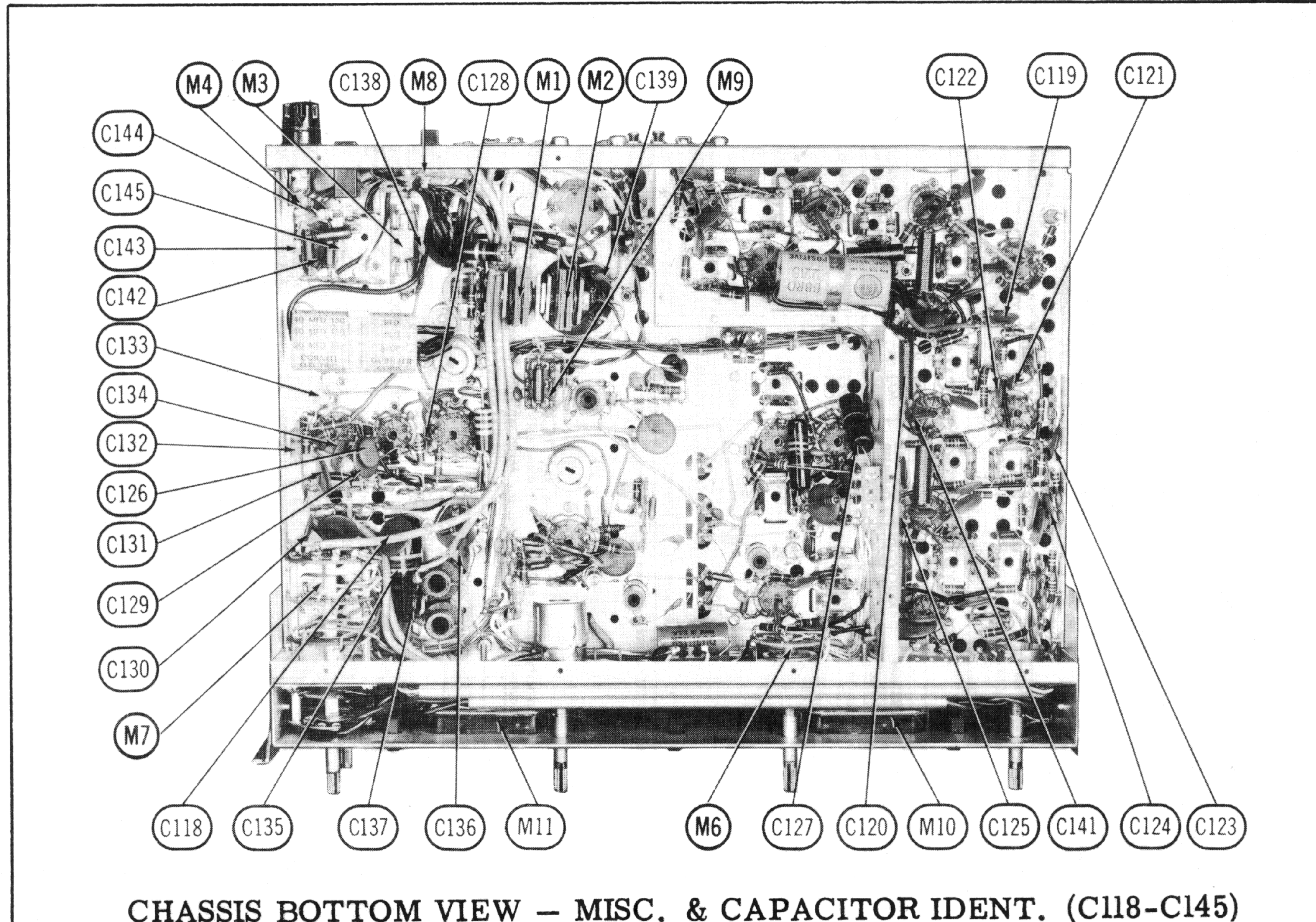
FOLDER 8



CHASSIS BOTTOM VIEW - CAPACITOR IDENT. (C1-C85)



CHASSIS BOTTOM VIEW - CAPACITOR IDENT. (C86-C117)



CHASSIS BOTTOM VIEW - MISC. & CAPACITOR IDENT. (C118-C145)

MC INTOSH
MODEL MR-55

FOLDER 8

PARTS LIST AND DESCRIPTIONS

TUBES (GENERAL ELECTRIC, SYLVANIA)

ITEM No.	USE	TYPE	NOTES	ITEM No.	USE	TYPE	NOTES
V1	FM RF Amp.	6BZ7		V11	1st FM Limiter	6BN6	
V2	FM Mixer	6AB4		V12	2nd FM Limiter	6AU6	
V3	FM AFC-FM Osc.	6BZ7		V13	Ratio Detector	6AL5	
V4	AM RF Amp.	6BA6		V14	FM AFC Detector	6BV8	
V5	AM Converter	6BE6		V15	FM Meter Amp.	12AU7	
V6	1st FM-AM IF Amp.	6AU6		V16	AM Det. -AVC	6AL5	
V7	2nd FM-AM IF Amp.	6AU6		V17	AM AVC Clamper-Squelch Rect.	6AL5	
V8	3rd FM IF Amp.	6BU6		V18	AF Amp. -Cath. Follower	12AU7	
V9	4th FM IF Amp.	6AU6					
V10	FM AVC	6AL5					

ELECTROLYTIC CAPACITORS

ITEM No.	RATING			REPLACEMENT DATA				NOTES
	CAP.	VOLT.	MC INTOSH PART No.	CORNELL-DUBILIER PART No.	MALLORY PART No.	PYRAMID PART No.	SPRAGUE PART No.	
C1A	40	150		D0010	FP327.89	TMQ-1	TVL-4441	
B	40	150			TC47			
C	30	150						
D	40	150						
C2A	40	150		BBRT44215	TCT3116	TDLT-4	TVA-3448	
B	40	150						
C	20	150						
C3	2000	15		A0070	WP041	TMS-5	TVL-1168	
C4	5	50		BBR5-50	TC30	TD-5-50	TVA-1303	
C5A	20	150		BBRD2215	TCDA5	TDLD-3	TVA-2428	
B	20	150						
C6	25	25		BBR25V25	TC26	TD-25-25	TVA-1205	

① In some versions C1C is not used and C1B is 70mfd.

FIXED CAPACITORS

Capacity values given in the rating column are in mfd. for Paper for Mica and Ceramic Capacitors.

ITEM No.	RATING			REPLACEMENT DATA				NOTES
	CAP.	VOLT.	TOL	MC INTOSH PART No.	CORNELL-DUBILIER PART No.	MALLORY PART No.	SPRAGUE PART No.	
C7	3.3	10%		NPO-SI 3.3	TCZ-3R3	CNO-533	5TCCB-V33S 10%*	
C8	220			BPD-0002	DD-221	B-322	5GA-T22	
C9	3.3	10%		NPO-SI 3.3	TCZ-3R3	CNO-533	5TCCB-V33S 10%*	
C10	220			BPD-00022	DD-221	B-322	5GA-T22	
C11	220			BPD-00022	DD-221	B-322	5GA-T22	
C12	220			BPD-00022	DD-221	B-322	5GA-T22	
C13	220			BPD-00022	DD-221	B-322	5GA-T22	
C14	220			BPD-00022	DD-221	B-322	5GA-T22	
C15	20000			BPD-02	DD-203	B-120	5GA-S2	
C16	220			BPD-00022	DD-221	B-322	5GA-T22	
C17	220			BPD-00022	DD-221	B-322	5GA-T22	
C18	220			BPD-00022	DD-221	B-322	5GA-T22	
C19	220			BPD-00022	DD-221	B-322	5GA-T22	
C20	10	5%		NPO-DI 10	DTZ-10	CNO-410	5TCC-Q1S 5%*	
C21	4.7	NPO 5%		NPO-DI 4.7	DTZ-4R7	CNO-547	5TCCB-V47S 5%*	
C22	10	NPO 5%		NPO-DI 10	DTZ-10	CNO-410	5TCC-Q1S 5%*	
C24	1.5	10%		NPO-SI 1.5	DTZ-1R5	CNO-515	5TCCB-V15S 10%*	
C25	10000			BPD-01	DD-103	B-110	5HK-SI	
C26	10000			BPD-01	DD-103	B-110	5HK-SI	
C27	10000			BPD-00047	DD-470	CNO-447	5GA-Q47	
C28	47	N470 ± .25mmf						
C29	6.8							
C30	220			BPD-00022	DD-221	B-322	5GA-T22	
C31	220			BPD-00022	DD-221	B-322	5GA-T22	

CAPACITORS (cont)

ITEM No.	RATING			REPLACEMENT DATA							NOTES
	CAP.	VOLT.	TOL	MC INTOSH PART No.	AEROVOX PART No.	CENTRALAB PART No.	CORNELL-DUBILIER PART No.	MALLORY PART No.	SPRAGUE PART No.		
C33	220				BPD-00022	DD-221	LI0T22	B-322	5GA-T22		
C34	33	100			P288N-33	DD-203	BYB6S2	GEM-2033	2TM-P33S *		
C35	20000				BPD-02	DD-221	LI0T22	B-120	5GA-S2		
C36	220				BPD-00022	DD-221	LI0T22	B-322	5GA-T22		
C37	220				BPD-00022	DD-221	LI0T22	B-322	5GA-T22		
C38	220				BPD-00022	DD-221	LI0T22	B-322	5GA-T22		
C39	220				BPD-00022	DD-221	LI0T22	B-322	5GA-T22		
C40	220				BPD-00022	DD-221	LI0T22	B-322	5GA-T22		
C41	47	10%			BPD-000047	DD-470	LI0Q47	CNO-447	5GA-Q47		
C42	1.8	NPO 5%			NPO-DI 1.8	DTZ-12	C10Q12C	CNO-412	5TCCB-V18S 10%*		
C43	12	5%							5TCC-Q12S 5%*		
C44	.018	5%							5BF-S18		
C45											
C46	10	5%			NPO-DI 10	DTZ-10	C10QC	CNO-410	5TCC-Q1S 5%*		
C47	220				BPD-00022	DD-221	LI0T22	B-322	5GA-T22		
C48	220				BPD-00022	DD-221	LI0T22	B-322	5GA-T22		
C49	47	5%			BPD-00047	DD-470	LI0Q47	B-347	5GA-T47		
C50	15	5%			NPO-DI 15	DTZ-15	C10Q15C	CNO-415	5TCC-Q15S 5%*		
C51	20000				BPD-02	DD-203	BYB6S2	B-120	5GA-S2		
C52	10000				BPD-01	DD-103	BYA10SI	B-110	5HK-SI		
C53	2.2	10%			NPO-SI 2.2	TCZ-2R2	CTA6V22C	CNO-522	5TCCB-V22S 10%*		
C54	10000				BPD-01	DD-103	BYA10SI	B-110	5HK-SI		
C55	470	5%			BPD-00047	DD-470	5R5T47	B-120	5GA-T47S 5%*		
C56	20000	5%			BPD-02	DD-203	BYA6S2	B-120	5GA-S2		
C57	470	5%			1464-00047	DD-470	5R5T47	B-120	MS-347		
C58	22	N330 5%									
C59	1.0	10%			NPO-SI 1.0	TCA-22	TCZ-1	CNO-510	5TCCB-V1S 10%*		
C60	470				1464-00047	DD-470	5R5T47	B-120	MS-347		
C61	20000				BPD-02	DD-203	BYB6S2	B-120	5GA-S2		
C62	20000				BPD-02	DD-203	BYA6S2	B-120	5GA-S2		
C63	10000				BPD-01	DD-103	BYA10SI	B-110	5HK-SI		
C64	20000				BPD-02	DD-203	BYA6S2	B-120	5GA-S2		
C65	4.7	N470 5%									
C66	22	N330 5%									
C67	470 5%				1464-00047	TCA-22	5R5T47	GEM-4147	MS-347		
C68	.047	10%			P288N-047	DF-503	CUB2947		2TM-S47		
C69	1.2								5TCCB-V12S 10%*		
C70	10000				BPD-01	DD-103	BYA10SI	B-110	5HK-SI		
C71	10000				BPD-01	DD-103	BYA10SI	B-110	5HK-SI		
C72	10000				BPD-01	DD-103	BYA10SI	B-110	5HK-SI		
C73	20000				BPD-02	DD-203	BYA6S2	B-120	5GA-S2		
C74	47	10%			NPO-SI 4.7	TCZ-4R7	CTA6Q47C	CNO-547	5TCC-Q47 S 10%*		
C75	47	10%									
C76	1.2	10%							5TCCB-V12S 10%*		
C77	10000				BPD-01	DD-103	BYA10SI	B-110	5HK-SI		
C78	47	10%			BPD-01	DD-103	BYA10SI	B-110	5HK-SI		
C79	10000				BPD-01	DD-103	BYA10SI	B-110	5HK-SI		
C80	10000				BPD-01	DD-103	BYA10SI	B-110	5HK-SI		
C81	220				BPD-00022	DD-221	LI0T22	B-322	5GA-T22		
C82	47				BPD-000047	DD-470	LI0Q47	UC-5447	5GA-Q47		
C83	10000				BPD-01	DD-103	BYA10SI	B-110	5HK-SI		
C84	47				BPD-000047	DD-470	LI0Q47	UC-5447	5GA-Q47		
C85	10000				BPD-01	DD-103	BYA10SI	B-110	5HK-SI		
C86	4.7	10%			NPO-SI 4.7	TCZ-4R7	CTA6V47C	CNO-547	5TCCB-V47 10%*		
C87	2	10%							5TCCB-V2S 10%*		
C88	1.0	10%			NPO-SI 1.0	TCZ-1	C10V2C	CNO-510	5TCCB-VIS 10%*		
C89	10000				BPD-01	DD-103	BYA10SI	B-110	5HK-SI		
C90	10000				BPD-01	DD-103	BYA10SI	B-110	5HK-SI		
C91	10000				BPD-01	DD-103	BYA10SI	B-110	5HK-SI		
C92	1.0	10%			NPO-SI 1.0	TCZ-1	C10V2C	CNO-510	5TCCB-VIS 10%*		
C93	22	N330 5%									
C94	6.8	10%			NPO-SI 6.8	TCZ-6R8	CTA6V68C	CNO-568	5TCCB-V68S 10%*		
C95	10000				BPD-01	DD-103	BYA10SI	B-110	5HK-SI		
C96	10000				BPD-01	DD-103	BYA10SI	B-110	5HK-SI		
C97	10000				BPD-01	DD-103	BYA10SI	B-110	5HK-SI		
C98	10000				BPD-01	DD-103	BYA10SI	B-110	5HK-SI		
C99	1000				EF-001	MFT-1000			503C-DI		
C100	470				BPD-00047	DD-471	LI0T47	B-347	5GA-T47		
C101	4.7	10%			NPO-SI 4.7	TCZ-4R7	CTA6V47C	CNO-547	5TCCB-V47S 10%*		
C102	10000				BPD-01	DD-103	BYA10SI	B-110	5HK-SI		
C103	47				BPD-000047	DD-470	LI0Q47	UC-5447	5GA-Q47		
C104	10000				BPD-01	DD-103	BYA10SI	B-110	5HK-SI		

PARTS LIST AND DESCRIPTIONS (Continued)

CAPACITORS (cont)

ITEM No.	RATING		TOL	REPLACEMENT DATA					NOTES	
	CAP.	VOLT		MC INTOSH PART No.	AEROVOX PART No.	CENTRALAB PART No.	CORNELL DUBILIER PART No.	MALLORY PART No.		SPRAGUE PART No.
C105	10000				BPD-01	DD-103	BYA10SI	B-110	5HK-SI	
C106	470				BPD-00047	DD-471	LI0T47	B-347	5GA-T47	
C107	20000				BPD-02	DD-203	BYB6S2	B-120	5GA-S2	
C108	20000				BPD-02	DD-203	BYB6S2	B-120	5GA-S2	
C109	20000				BPD-02	DD-203	BYB6S2	B-120	5GA-S2	
C110	100				BPD-0001	DD-101	LI0T11	UC-531	5GA-T1	
C111	470				BPD-00047	DD-471	LI0T47	B-347	5GA-T47	
C112	10000				BPD-01	DD-103	BYA10SI	B-110	5HK-SI	
C113	12		NPO 5%		NPO-DI 12	DTZ-12	C10Q12C	CNO-412	5TCC-Q12S 5% *	⑤
C114	10		NPO 5%		NPO-DI 10	DTZ-10	C10Q10C	CNO-410	5TCC-Q10S 5% *	
C115	22		N330 5%			TCA-22				
C116	22		N330 5%			TCA-22				
C117	3.9		10%						5TCCB-V39S 10%*	
C118	10000				BPD-01	DD-103	BYA10SI	B-110	5HK-SI	
C119	10000				BPD-01	DD-103	BYA10SI	B-110	5HK-SI	
C120	10000				BPD-01	DD-103	BYA10SI	B-110	5HK-SI	
C121	47				BPD-000047	DD-470	LI0Q47	CNO-447	5GA-Q47	
C122	10000				BPD-01	DD-103	BYA10SI	B-110	5HK-SI	
C123	10000				BPD-01	DD-103	BYA10SI	B-110	5HK-SI	
C124	10000				BPD-01	DD-103	BYA10SI	B-110	5HK-SI	
C125	10000				BPD-01	DD-103	BYA10SI	B-110	5HK-SI	
C126	10000				BPD-01	DD-103	BYA10SI	B-110	5HK-SI	
C127	1	200			P288N-1	DF-104	CUB2P1	GEM-201	2TM-P1	
C128	47				BPD-000047	DD-470	LI0Q47	UC-5447	5GA-Q47	
C129	20000				BPD-02	DD-203	BYB6S2	B-120	5GA-S2	
C130	20000				BPD-02	DD-203	BYB6S2	B-120	5GA-S2	
C131	20000				BPD-02	DD-203	BYB6S2	B-120	5GA-S2	
C132	330		10%		DI 330	D6-331	LI0T33	JL-333	5GA-T33S 10% *	
C133	2.2		10%		NPO-SI 2.2	DTZ-2R2	CTA6V22C	CNO-522	5TCCB-V22S 10%*	
C134	10000				BPD-01	DD-103	BYA10SI	B-110	5HK-SI	
C135	47	200			P288N-47	DD-103	CUB2P47	GEM-2047	2TM-P47	
C136	10000				1464-0047	DD-103	BYA10SI	B-110	5HK-SI	
C137	4700		10%		BPD-00022	DD-221	LI0T22	B-322	5GA-T22	
C138	220				BPD-00022	DD-221	LI0T22	B-322	5GA-T22	
C139	220				BPD-00022	DD-221	LI0T22	B-322	5GA-T22	
C140	220				BPD-00022	DD-221	LI0T22	B-322	5GA-T22	
C141	10000				BPD-01	DD-103	BYA10SI	B-110	5HK-SI	
C142	10000				BPD-2X01	DD3-103	BYD6DSI	B-110	5HK-SI	
C143	1.5		10%		NPO-SI 1.5	TCZ-IR5	CTA6V15C	CNO-512	5TCCB-V15S 10%*	
C144	1.5		10%		NPO-SI 1.5	TCZ-IR5	CTA6V15C	CNO-512	5TCCB-V15S 10%*	
C145	1.5		10%		NPO-SI 1.5	TCZ-IR5	CTA6V15C	CNO-512	5TCCB-V15S 10%*	

① Some versions may use 12mmf in this application.
 ② Not used in some versions.
 ③ Some versions may use 4.3mmf N470 ±.25mmf in this application.
 ④ Some versions may use 2.2mmf 10% in this application.
 ⑤ Some versions may use 3.3mmf 10% in this application.
 ⑥ Some versions may use 10mmf 5% in this application.
 ⑦ Some versions may use 470mmf in this application.
 ⑧ Some versions may use .22mfd 200V in this application.

CONTROLS

ITEM No.	RATING		MC INTOSH PART No.	REPLACEMENT DATA					INSTALLATION NOTES
	RESIST-ANCE	WATTS		CENTRALAB PART No.	CLAROSTAT PART No.	IRC PART No.	MALLORY PART No.		
R1A	1meg	1/2	DX5956	B-70	A47-1meg-Z	Q13-137	U53	Volume	
B	Shaft			Not Req.	KSS-3	Not Req.	Not Req.		
C	Switch			KR-1	SWE-12	76-1	US-26		
D	Sw. Cover			KB-5					
R2A	1meg	1/2	DX5957	B-69	A47-1meg-S	Q11-137	U54	FM-AFC, Note 1	
B	Shaft			Not Req.	KSS-3	Not Req.	Not Req.		
R3	1000Ω	2(WW)		WN-102	WPS1000	FL-1K	FL-15K	FM Sensitivity Limiter Adjustment	
R4	1000Ω	2(WW)		WN-102	WPS1000	FL-15K	FL-15K	FM Meter Balance	
R5	3000Ω	2(WW)		WN-302	WPS3000	C3MP	C3MP	Whistle Filter	
R6	5000Ω	2(WW)		WN-502	WPS5000	C5MP	C5MP		

■ Enlarge mounting hole.
 Note 1. Some versions may use 500K in this application.

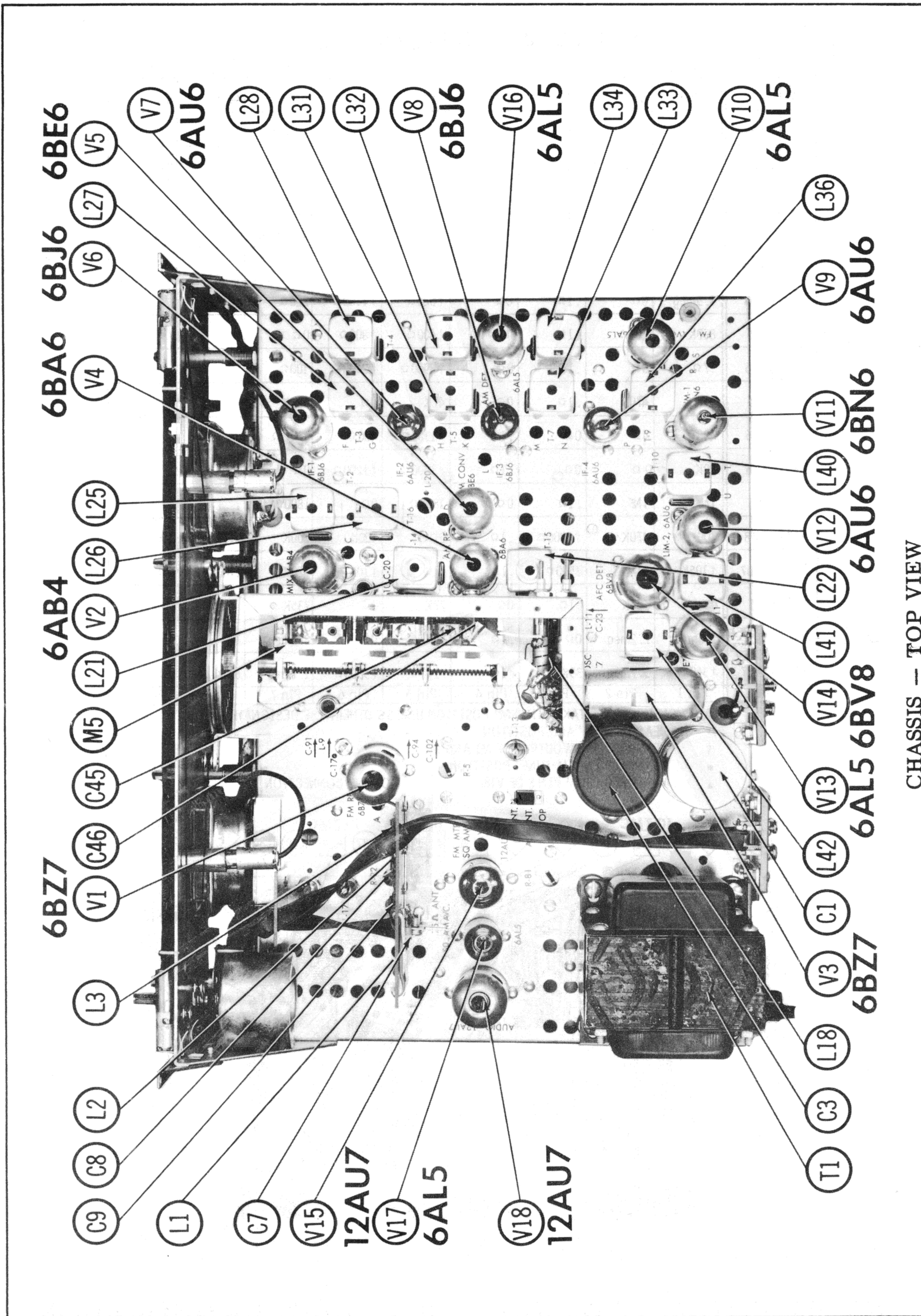
RESISTORS

All wattages 1/2 watt, or less, unless otherwise listed.

ITEM No.	RATING		MC INTOSH PART No.	NOTES	MC INTOSH PART No.	NOTES	RATING		ITEM No.
	OHMS	WATT					OHMS	WATT	
R7	220Ω								R68
R8	3.3meg								R69
R9	4.7meg								R70
R10	100Ω								R71
R11	68Ω								R72
R12	10K								R73
R13	1000Ω								R74
R14	1000Ω			Note 1					R75
R15	6800Ω								R76
R16	22Ω								R77
R17	4700Ω								R78
R18	220Ω								R79
R19	330K								R80
R20	1meg			Note 2					R81
R21	6800Ω								R82
R22	220Ω								R83
R23	10Ω								R84
R24	10K								R85
R25	10Ω								R86
R26	470K								R87
R27	4700Ω								R88
R28	470Ω								R89
R29	100Ω								R90
R30	10Ω								R91
R31	220K								R92
R32	10Ω								R93
R33	22K								R94
R34	1000Ω								R95
R35	470Ω								R96
R36	22K								R97
R37	470K								R98
R38	2.2meg								R99
R39	47K			Note 3					R100
R40	470Ω								R101
R41	68Ω								R102
R42	47Ω								R103
R43	1000Ω								R104
R44	3300Ω								R105
R45	220Ω								R106
R46	470K								R107
R47	100K								R108
R48	33K								R109
R49	180K								R110
R50	470Ω								R111
R51	220Ω								R112
R52	68K								R113
R53	220K								R114
R54	470Ω								R115
R55	100Ω								R116
R56	47K								R117
R57	470Ω								R118
R58	2200Ω 5%								R119
R59	100Ω								R120
R60	47K								R121
R61	220K								R122
R62	470K								R123
R63	100K								R124
R64	1meg								R125
R65	470K								R126
R66	10K								R127
R67	470Ω								R128

Note 1. Some versions may use 3300Ω in this application.
 Note 2. Some versions may use 330K in this application.
 Note 3. Some versions may use 4700Ω in this application.
 Note 4. Some versions may use 47K in this application.

Note 5. Some versions may use 100K in this application.
 Note 6. Some versions may use 330K in this application.
 Note 7. Some versions may use 33K in this application.



CHASSIS - TOP VIEW

MC INTOSH
MODEL MR-55

RESISTANCE MEASUREMENTS

ITEM	TUBE	Pin 1	Pin 2	Pin 3	Pin 4	Pin 5	Pin 6	Pin 7	Pin 8	Pin 9
V1	6BZ7	†1200Ω	680K	500Ω	0Ω	.1Ω	†300Ω	670K	68Ω	0Ω
V2	6AB4	†23K	0Ω	.1Ω	0Ω	NC	.1Ω	1000Ω		
V3	6BZ7	†5700Ω	7000Ω	220Ω	0Ω	.1Ω	†7800Ω	3meg	220Ω	0Ω
V4	6BA6	▲ 3.5meg	0Ω	.1Ω	0Ω	▲ †6000Ω	▲ †1300Ω	▲ 4300Ω		
V5	6BE6	▲ 22K	▲ .4Ω	.1Ω	0Ω	▲ †1300Ω	▲ †2300Ω	▲ 3.2meg		
V6	6BJ6	2.5meg	4300Ω	.1Ω	0Ω	†840Ω	†1300Ω	0Ω		
V7	6AU6	1.3meg	0Ω	.1Ω	0Ω	†625Ω	†1100Ω	220Ω		
V8	6BJ6	800K	100Ω	.1Ω	0Ω	†400Ω	†800Ω	0Ω		
V9	6AU6	.7Ω	0Ω	.1Ω	0Ω	†2900Ω	†2400Ω	100Ω		
V10	6AL5	4Ω	470K	.1Ω	0Ω	47K	0Ω	470K		
V11	6BN6	400Ω	4Ω	0Ω	.1Ω	†1300Ω	400Ω	†770Ω		
V12	6AU6	22K	0Ω	0Ω	.1Ω	†1000Ω	†1200Ω	0Ω		
V13	6AL5	1NF	1NF	.1Ω	0Ω	1800Ω	0Ω	1800Ω		
V14	6BV8	100Ω	470K	†1000Ω	.1Ω	0Ω	100K	200K	0Ω	100K
V15	12AU7	†105K	0Ω	1500Ω	.1Ω	.1Ω	†10K	320K	1100Ω	0Ω
V16	6AL5	0Ω	500K	.1Ω	0Ω	27K	0Ω	735K		
V17	6AL5	1.6meg	2.2meg	0Ω	.1Ω	33K	0Ω	2.2meg		
V18	12AU7	†360K	3.7meg	33K	.1Ω	.1Ω	†5500Ω	1.1meg	100K	0Ω
ITEM	TUBE	Pin 1	Pin 2	Pin 3	Pin 4	Pin 5	Pin 6	Pin 7	Pin 8	Pin 9

ALL MEASUREMENTS TAKEN IN "FM" POSITION UNLESS OTHERWISE DESIGNATED.

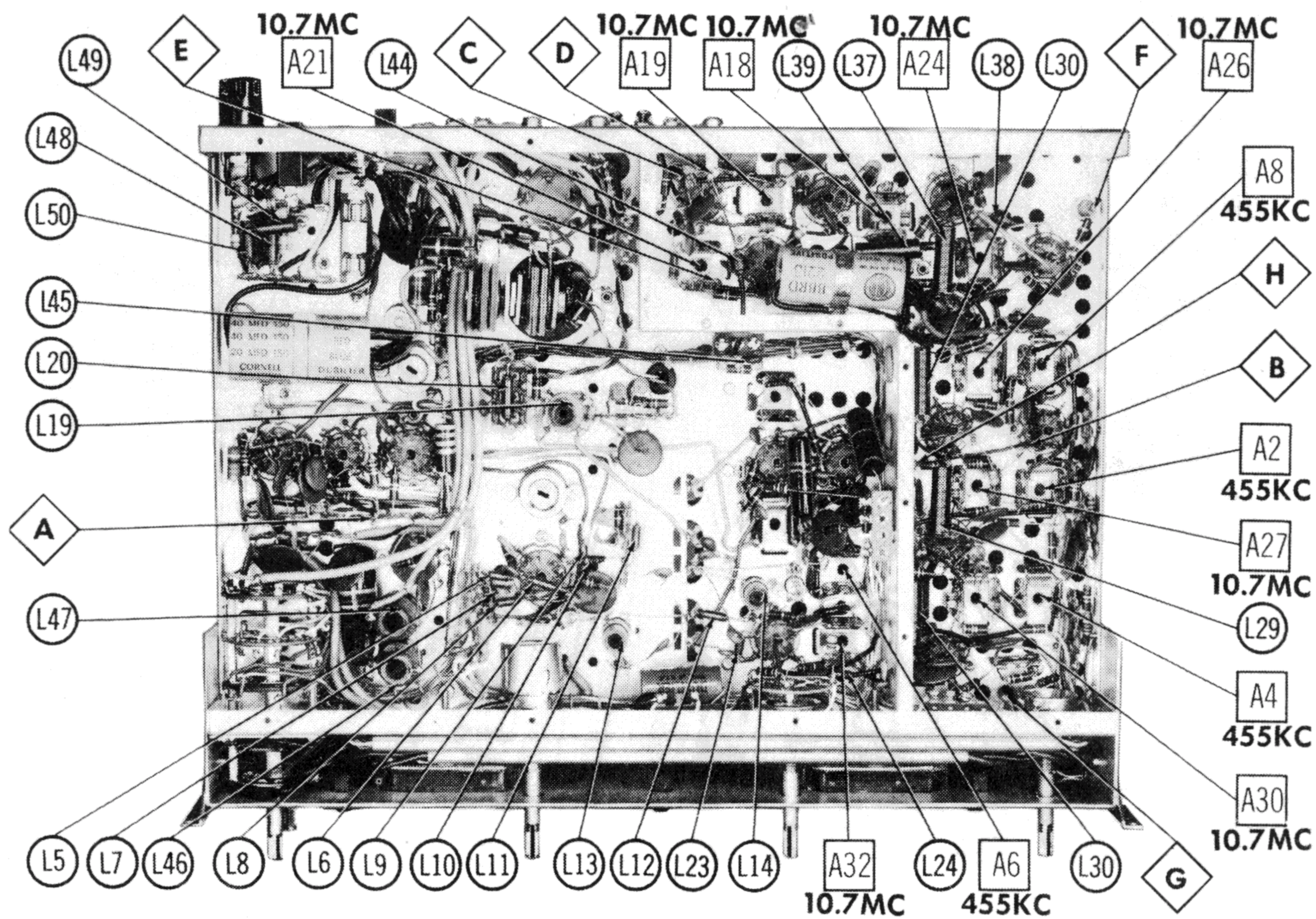
▲ MEASURED IN "AM" POSITION.

† MEASURED FROM OUTPUT OF M1 AND M2.

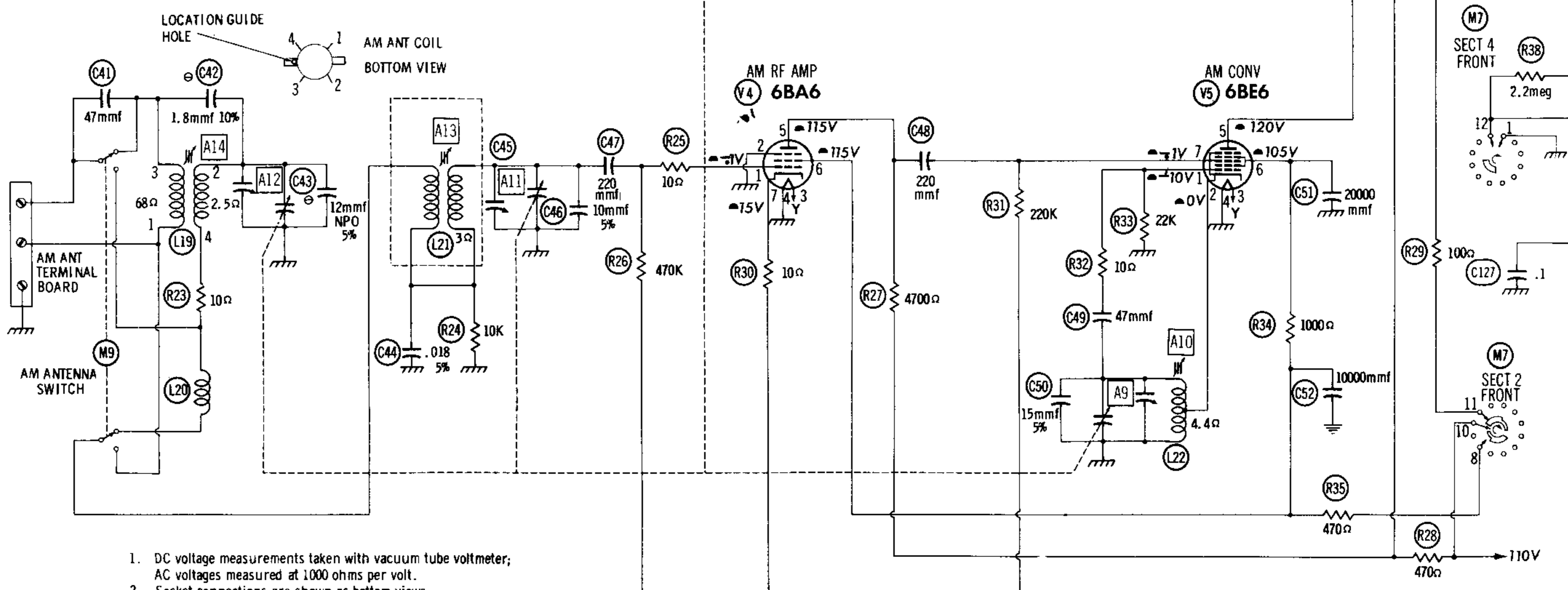
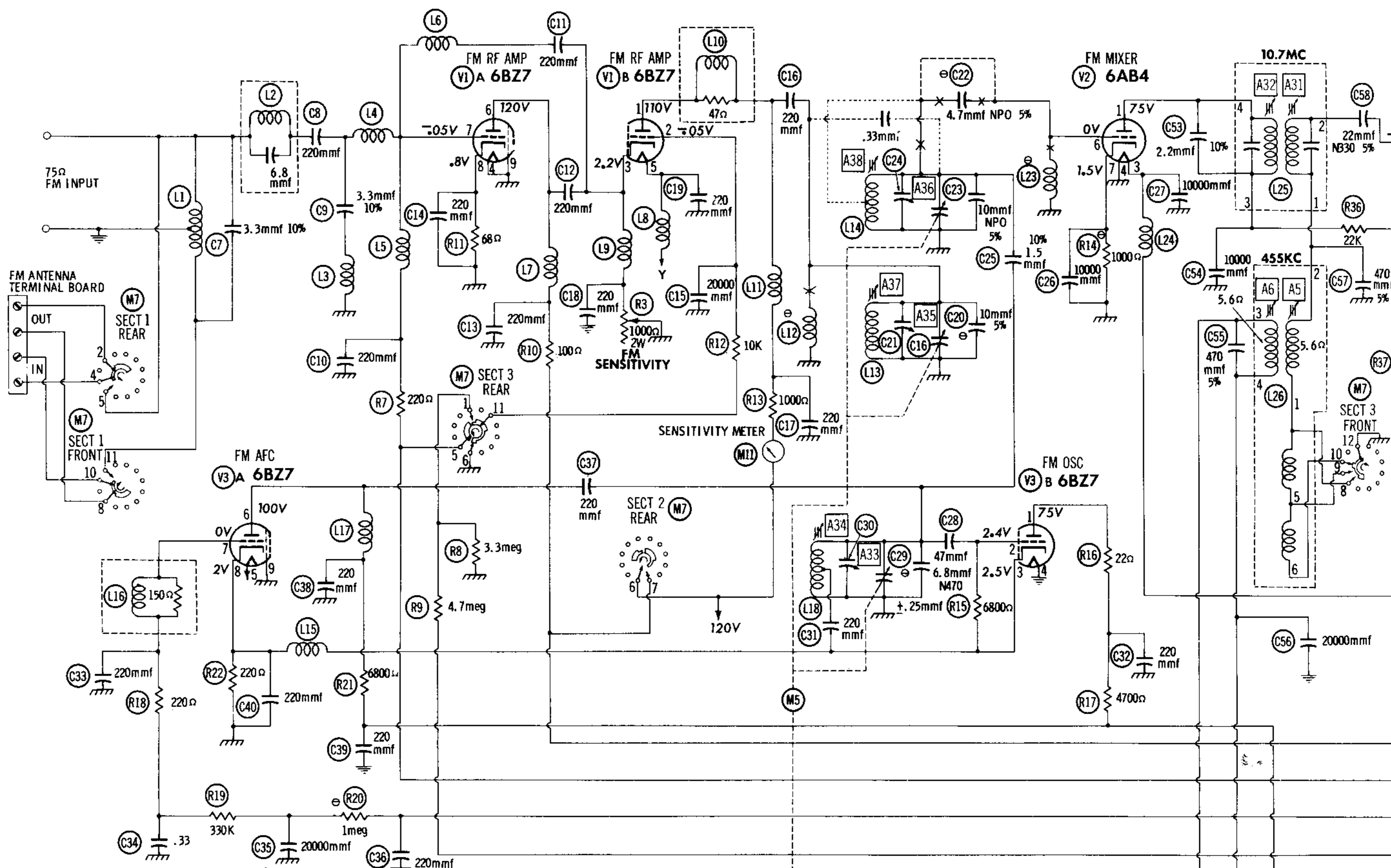
■ MEASURED IN "FM-TUNE" POSITION

▲ MEASURED FROM PIN 8 OF V18.

NC NO CONNECTION



CHASSIS BOTTOM VIEW- INDUCTOR & ALIGN. IDENTIFICATION

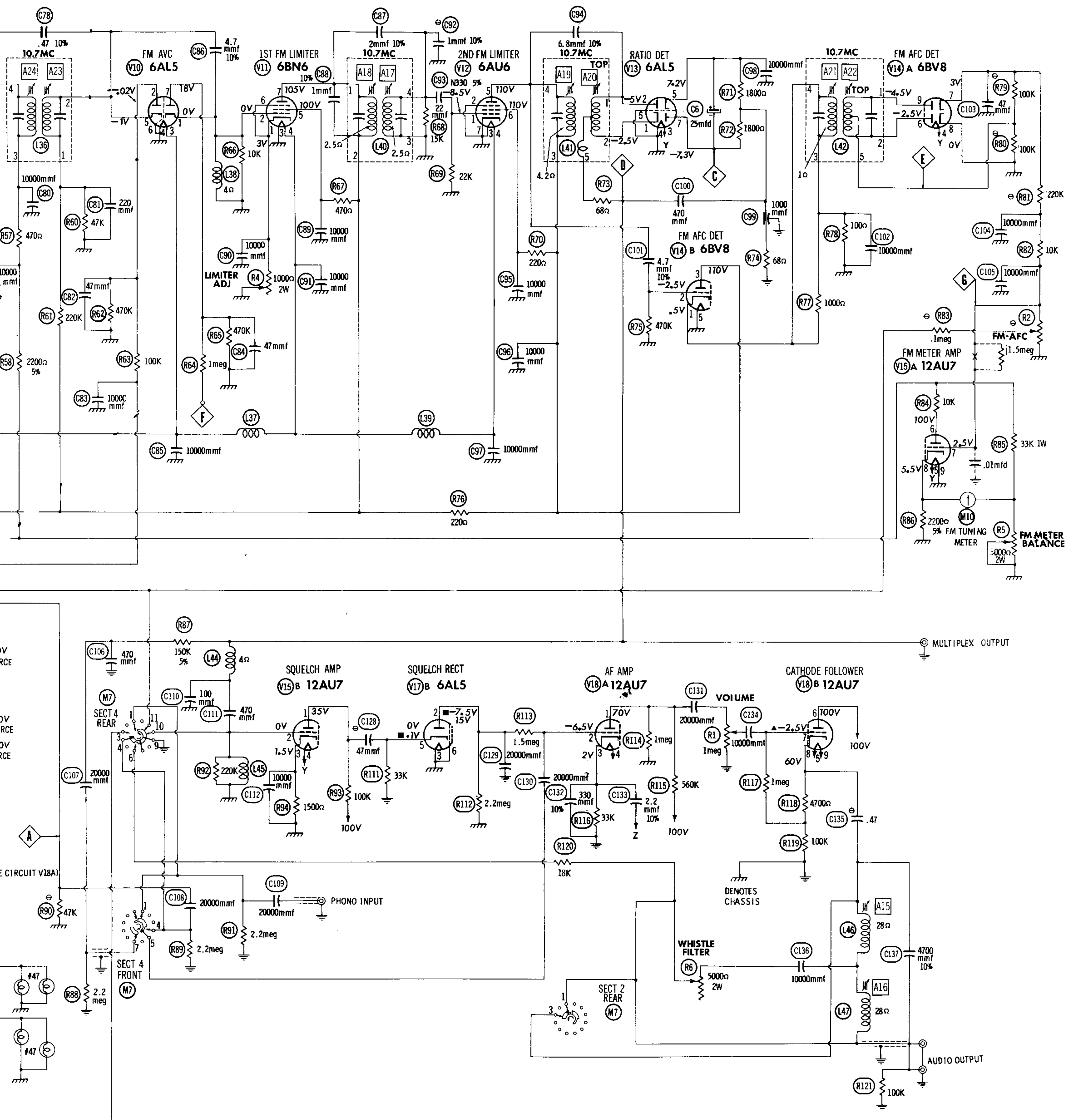


1. DC voltage measurements taken with vacuum tube voltmeter; AC voltages measured at 1000 ohms per volt.
2. Socket connections are shown as bottom views.
3. Measured values are from socket pin to common negative.
4. Line voltage maintained at 117 volts for voltage readings.
5. Nominal tolerance on component values makes possible a variation of $\pm 15\%$ in voltage and resistance readings.
6. Volume control at maximum, no signal applied for voltage measurements.

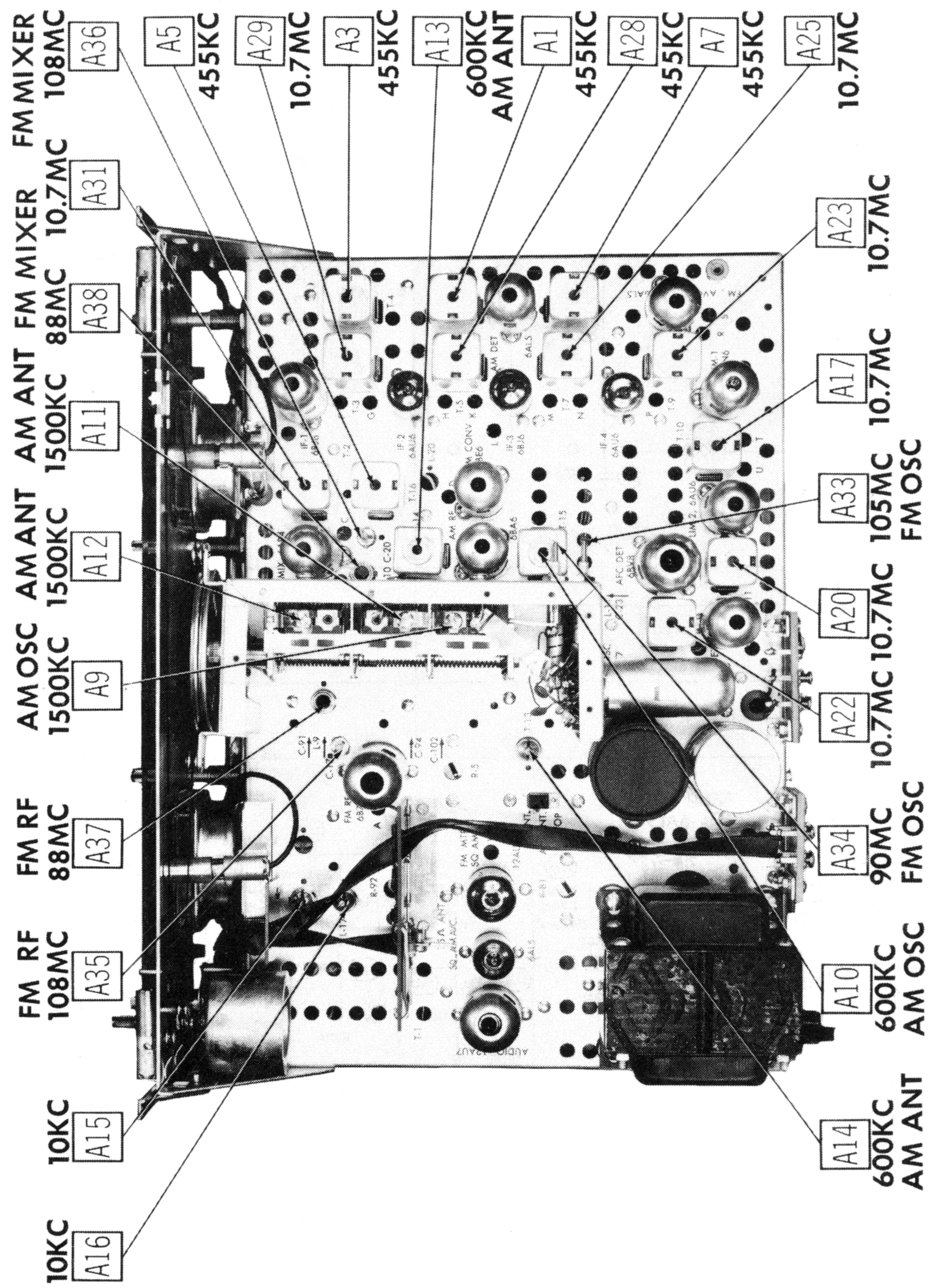
⊗ SEE PARTS LIST FOR ALTERNATE VALUE OR APPLICATION

DC COIL RESISTANCE VALUES UNDER ONE OHM NOT SHOWN ON SCHEMATIC DIAGRAM

A PHOTOFAC STANDARD NOTATION SCHEMATIC
 © Howard W. Sams & Co., Inc. 1959



MC INTOSH
MODEL MR-55



CHASSIS TOP VIEW - ALIGN IDENT.

ALIGNMENT INSTRUCTIONS

ALIGNMENT INSTRUCTIONS—READ CAREFULLY BEFORE ATTEMPTING ALIGNMENT

Volume control should be at maximum position. Output of signal generator should be no higher than necessary to obtain an output reading.

Suggested Alignment Tools: A1 thru A8, A17 thru A20, A23 thru A32.... GENERAL CEMENT #5097, 8727
 WALSCO #2515
 A9, A11, A12..... GENERAL CEMENT #5004, 5008, 5009
 WALSCO #2520
 A10, A13, A21, A22, A37, A38..... GENERAL CEMENT #8606, 8606L, 8282, 9295
 WALSCO #2526, 2543, 2544, 2545
 A14, A15, A16..... GENERAL CEMENT #8271, 8273, 8275, 8276, 8721, 8722, 9150, 9298, 5003
 WALSCO #2516, 2519
 A33 thru A36..... GENERAL CEMENT #8721, 8722
 WALSCO #2519

AM ALIGNMENT

Set antenna switch to "ANT" position.

DUMMY ANTENNA	SIGNAL GENERATOR COUPLING	SIGNAL GENERATOR FREQUENCY	BAND SWITCH POS.	RADIO DIAL SETTING	CONNECT VTVM	ADJUST	REMARKS
1. .01mfd	High side to pin 7 (grid) of 6BE6 (V5). Low side to chassis.	455KC (Unmod.)	AM (Narrow)	Point of non-interference	DC probe to point Δ . Common to chassis.	A1, A2, A3, A4, A5, A6	Adjust for maximum deflection with sensitivity switch in MINIMUM position.
2. "	"	"	"	"	DC probe to point Δ . Common to chassis.	A7, A8	Connect 1000 Ω resistor across winding not being adjusted. Ground pin 2 of secondary. Adjust for maximum deflection.
3. 50mmf	Across antenna terminals.	1500KC	"	1500KC	DC probe to point Δ . Common to chassis.	A9	Adjust for maximum deflection with sensitivity switch in maximum position.
4. "	"	600KC	"	600KC	"	A10	"
5. "	"	1500KC	AM (Broad)	1500KC	DC probe to pin 7 (grid) of 6BE6 (V5). Common to chassis.	A11, A12	Remove 6BE6 (V5). Connect 1500 Ω resistor across capacitor not being adjusted. Adjust for maximum deflection.
6. "	"	600KC	"	600KC	DC probe to pin 7 (grid) of 6BE6 (V5). Common to chassis.	A13, A14	Connect 1500 Ω across coil not being adjusted. Adjust for maximum deflection. Repeat steps 5 and 6 until no further improvement is noticed. Replace V5.
7. "	High side to pin 7 (grid) of 12AU7 (V18). Low side to chassis.	10KC	"	"	Output meter across audio output jack.	A15, A16, R6	Adjust for MINIMUM output.

FM IF ALIGNMENT USING AM SIGNAL GENERATOR AND VTVM

DUMMY ANTENNA	SIGNAL GENERATOR COUPLING	SIGNAL GENERATOR FREQUENCY	BAND SWITCH POS.	RADIO DIAL SETTING	CONNECT VTVM	ADJUST	REMARKS
8. .01mfd	High side to pin 5 (cathode) of 6AL5 (V10). Low side to chassis.	10.7MC (Unmod.)	FM (Tune)	Point of non-interference	DC probe thru 100K to pin 1 (grid) of 6AU6 (V12). Common to chassis.	R4	Adjust for maximum deflection.
9. "	"	"	"	"	"	A17, A18	Connect 1500 Ω across winding not being adjusted. Adjust for maximum deflection.
10. "	"	"	"	"	DC probe thru 100K to point Δ . Common to chassis.	A19	Adjust for maximum deflection.
11. "	"	"	"	"	DC probe thru 100K to point Δ . Common to chassis.	A20	Adjust for zero reading. A positive and negative reading will be obtained on either side of the correct setting.
12. "	"	"	"	"	DC probe thru 100K to point Δ . Common to chassis.	A21	Adjust for maximum deflection.
13. "	"	"	"	"	Not used	R5	Short point Δ to chassis. Adjust R5 to center FM Tuning Meter.
14. "	"	"	"	"	"	A22	Remove short and adjust A22 to center FM Tuning Meter.
15. "	High side to pin 6 (grid) of 6AB4 (V2). Low side to chassis.	"	"	"	DC probe to point Δ . Common to chassis.	A23, A24, A25, A26, A27, A28, A29, A30, A31, A32	Short point Δ to chassis. Connect 10K across winding not being adjusted. Adjust for maximum deflection. Remove short.

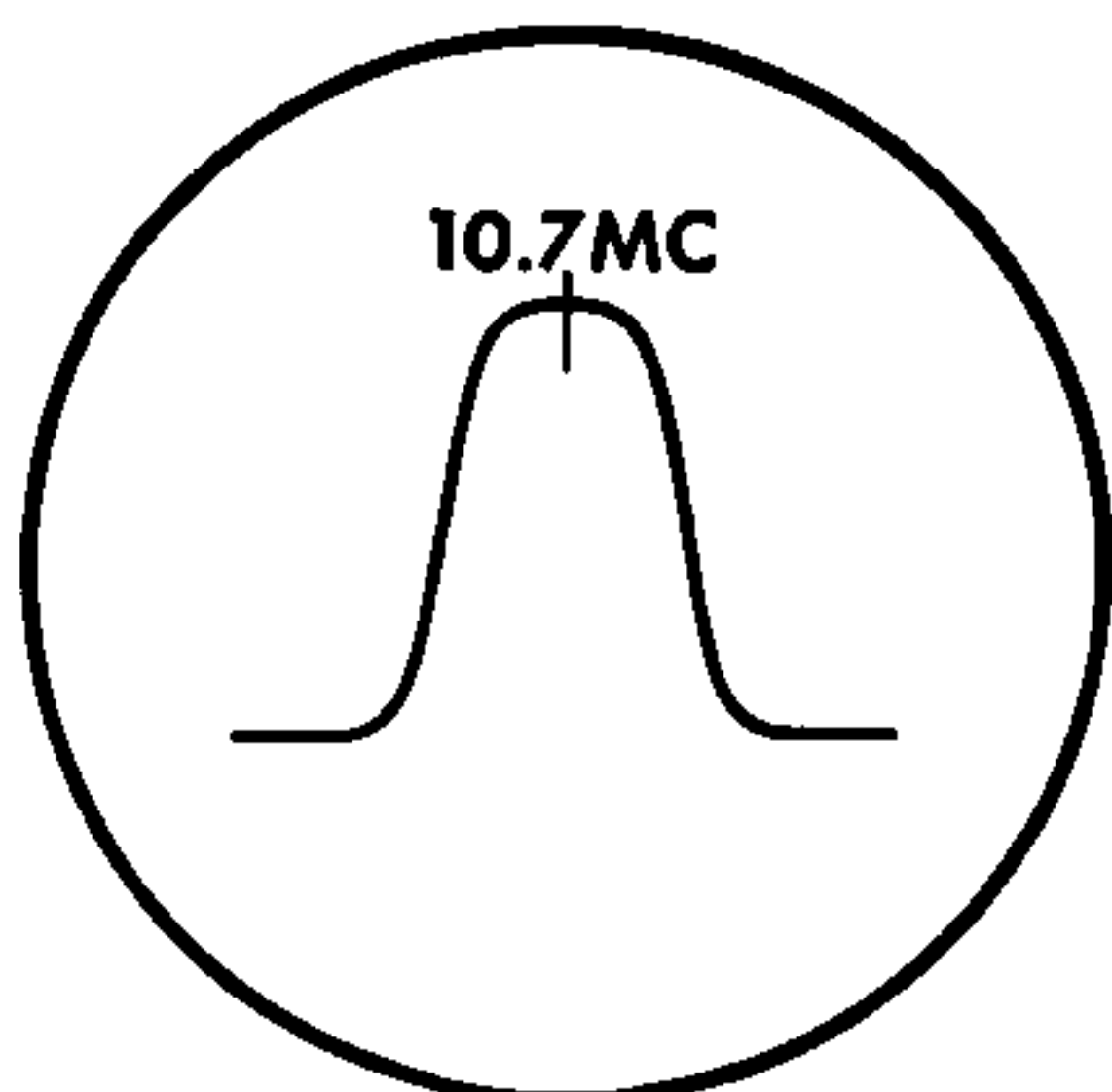


FIG. 1

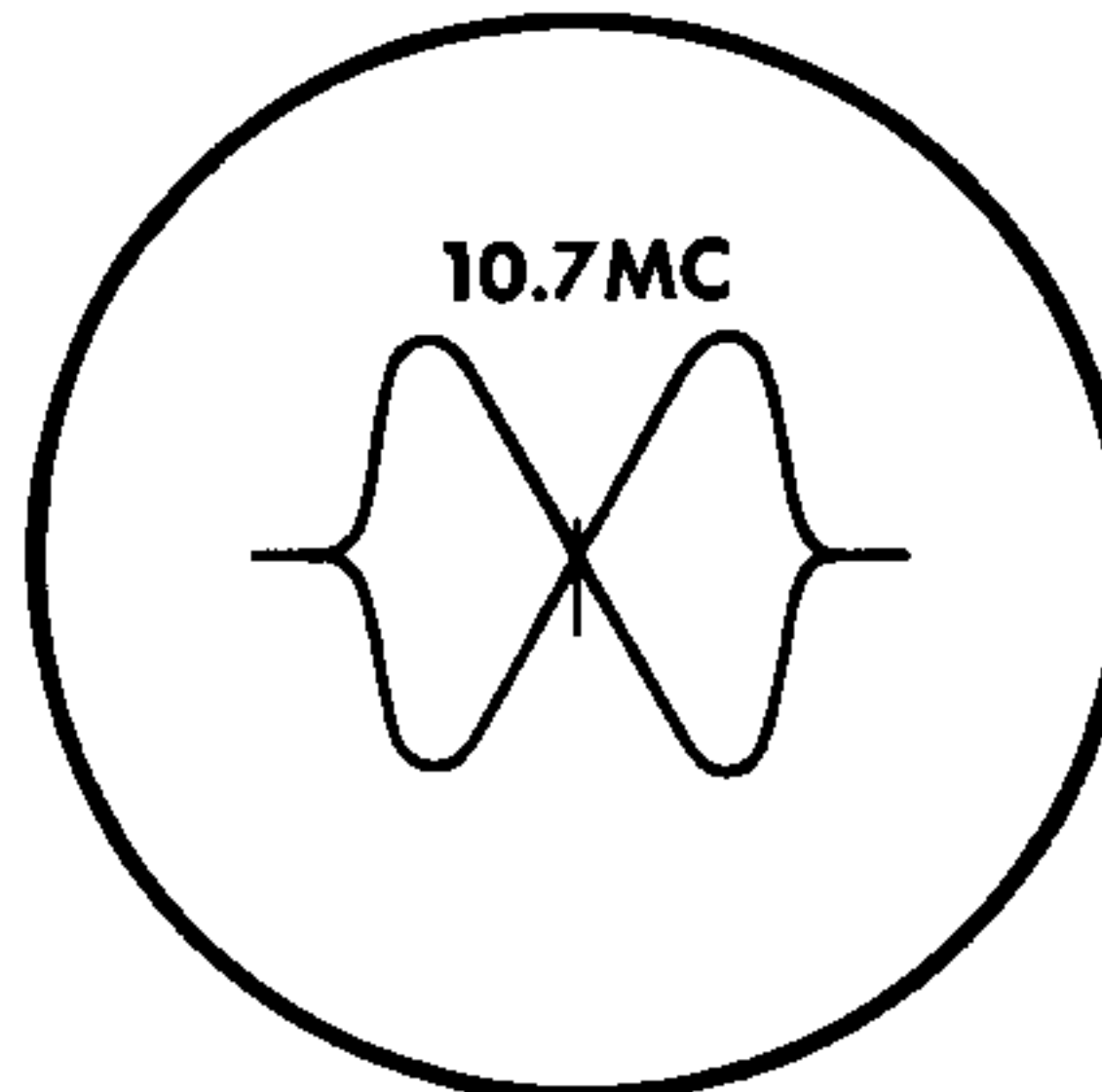


FIG. 2

ALIGNMENT INSTRUCTIONS (cont)

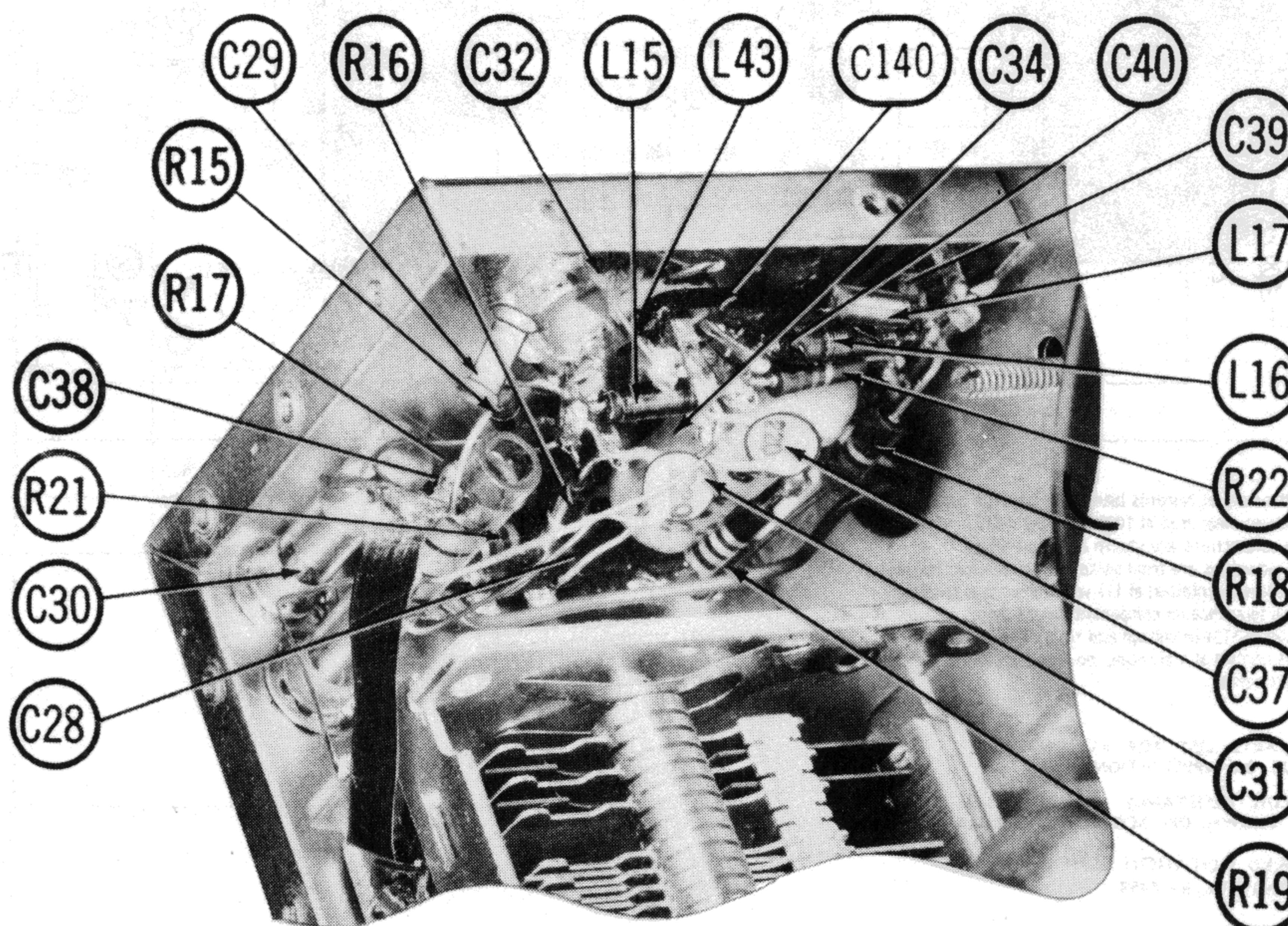
FM IF ALIGNMENT USING FM SIGNAL GENERATOR AND OSCILLOSCOPE

Use frequency modulated signal with 60% modulation and 450KC sweep. Use 120% sawtooth voltage in scope for horizontal deflection.

DUMMY ANTENNA	SIGNAL GENERATOR COUPLING	SIGNAL GENERATOR FREQUENCY	BAND SWITCH POS.	RADIO DIAL SETTING	CONNECT SCOPE	ADJUST	REMARKS
8. .01mfd	High side to pin 5 (cathode) of 6AL5 (V10). Low side to chassis.	10.7MC (450KC Swp.)	FM (Tune)	Point of non-interference	Vert. Amp. to pin 1 (grid) of 6AU6 (V12). Low side to chassis.	R4	Adjust for curve of maximum amplitude and symmetry similar to Fig. 1.
9. "	"	"	"	"	"	A17, A18	"
10. "	"	"	"	"	Vert. Amp. to point (C). Low side to chassis.	A19	"
11. "	"	"	"	"	Vert. Amp. to point (D). Low side to chassis.	A20	Adjust so that 10.7MC occurs at center of crossover lines similar to Fig. 2. SLIGHTLY retouch A19 for maximum amplitude and straightness of crossover lines.
12. "	"	"	"	"	Vert. Amp. to point (E). Low side to chassis.	A21	Adjust for curve of maximum amplitude and symmetry similar to Fig. 1.
13. "	"	"	"	"	Not used	R5	Short point (G) to chassis. Adjust R5 to center of FM Tuning Meter.
14. "	"	"	"	"	"	A22	Remove short. Adjust A22 to center FM Tuning Meter.
15. "	High side to pin 6 (grid) of 6AB4 (V2). Low side to chassis.	"	"	"	"	A23, A24 A25, A26 A27, A28 A29, A30 A31, A32	Short point (H) to chassis. Connect 10K across winding not being adjusted. Adjust for curve of maximum amplitude. Remove short.

FM RF ALIGNMENT

DUMMY ANTENNA	SIGNAL GENERATOR COUPLING	SIGNAL GENERATOR FREQUENCY	BAND SWITCH POS.	RADIO DIAL SETTING	CONNECT VTVM	ADJUST	REMARKS
16. Two 270Ω Carbon Resistors	Across FM antenna terminal with 270Ω in each lead.	105MC (Unmod.)	FM (Tune)	105MC	DC probe to pin 7 (cathode) of 6AB4 (V2). Low side to chassis.	A33	Adjust for maximum deflection.
17. "	"	90MC	"	90MC	"	A34	"
18. "	"	108MC	"	108MC	"	A35, A36	Ground pin 2 of 6BZ7 (V3). Adjust for maximum deflection.
19. "	"	88MC	"	88MC	"	A37, A38	Repeat steps 16, 17, 18 and 19 until no further improvement is noted. Remove ground at pin 2 of 6BZ7 (V3).



RF SUB CHASSIS